

Davitrac™ +



complete solution for access
and work in confined spaces

Davitrac™+

temporary anchor point for confined space entry, retrieval and fall protection

The Davitrac™+ is a complete solution for safe vertical rope access or material lifting in a confined space situation.

Mobile and efficient solution for rescue situations.

It offers protection and total mobility for up to three users simultaneously, during work involving a risk of falling. Its compatibility with the Tractel® product range allows a large number of possible configurations.

QUALITY

- Compact
- Easy to use
- Compatible for suspended work
- Rope access: manual or motorized
- Lifting material: manual or motorized

ERGONOMICS

- Easy handling / Very lightweight
- Easy to transport: integrated carrying handle
- Easy to install: installation by one person in less than two minutes without tools

SPECIFICATIONS

- Weight: 73 lb. (33 kg) without accessories and adapters.
- Each PPE anchor point rated up to 330 lb. (150 kg).
- Can be used by:
 - Up to three users up to 330 lb. (150 kg) each—one worker in the confined space and two workers operating the Davitrac™+—depending on the fall arrest system used. Each user must be secured on separated PPE anchor points.
 - Up to two users up to 330 lb. (150 kg) and a maximum material lifting capacity of 1,100 lb. (500 kg), depending on the systems used.
 - Material lifting maximum capacity 1,100 lb. (500 kg), depending on the lifting tools used.

APPLICATIONS

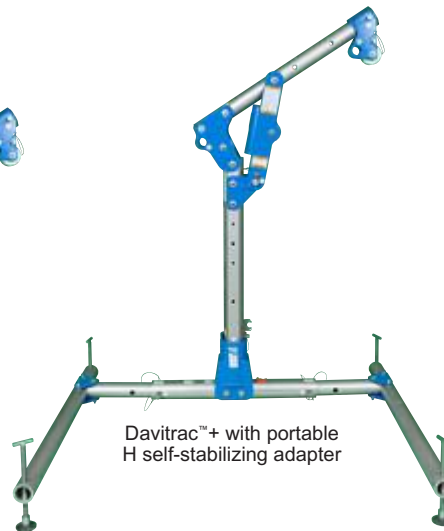
- Rescue
- Confined spaces
- Rope works
- Manholes
- Pits
- Sewerod access
- Pipes
- Oil and gas
- Civil engineering
- Industry
- Wind and solar installation

APPLICABLE STANDARDS

- CSA Z259.15-17
- ANSI Z359.18-17
- Meets OSHA requirements

FLEXIBILITY

- Can be semi-permanent or permanent.
- Well suited for use as a transportable anchor point for working in confined spaces.
- Anchorage for up to three users
- Can be used for lifting materials.
- Different type of adapters.
- Modular: different combinations possible with lifting and fall arrest device Tractel® products.



Tractel® supports you in your project and offers you a wide range of individual and collective protection solution that secures the operations.
Contact us for more information!

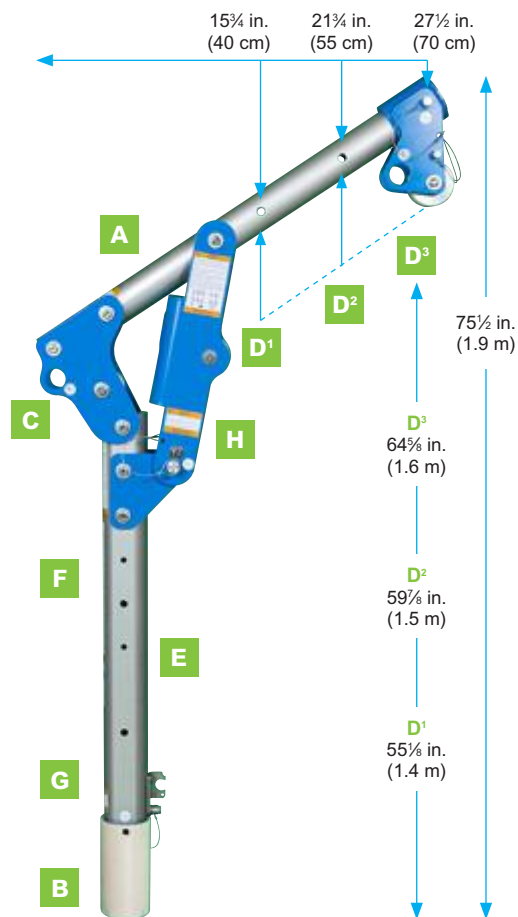
Davitrac™+

temporary anchor point for confined space entry, retrieval and fall protection

- A. ARM**
 - Rod made of aluminium
 - Lightweight materials
- B. ADAPTER**
 - Different types of adapters: fixed and mobile adapters
- C. ANCHORAGES**
 - Anchor points for fall arresters
 - Certified for fall arrest for up to two users at the same time (330 lb. [150 kg] each)
 - Also certified for lifting material (Tirak®, Minifor®, Tralift®...)
- D. HEAD ANCHOR**

Single head that encompasses all functions:

 - One PPE anchor point up to 330 lb. (150 kg)
 - One anchor point for material lifting up to 1,100 lb. (500 kg)
 - One PPE pulley up to 330 lb. (150 kg)
 - One pulley for material lifting up to 1,100 lb. (500 kg)
- E./F. OPTION: BRACKET FOR BLOCFOR® BI-DIRECTIONAL RETRIEVAL LIFELINES**
 - Blocfor® T1T50G for a 50 ft. (15 m) reach or Blocfor® T1T100G for a 100 ft. (30 m) reach
 - Plate for integration of an automatic fall protection device with integrated winch for ascending or descending during a possible rescue operation
- E./F. OPTION: BRACKET FOR WINCH OR SCAFOR®***
 - Plate for integration of a rescue winch.
- G. 360° ROTATING MAST (WITH LOCKING EVERY 90°)**
 - Facilitates handling for material lifting and the recovery of persons.
- H. QUICK RELEASE**
 - To fold the Davitrac™+ (facilitates transport).



*Both brackets can be integrated at the front or rear of the mast.

Accessories

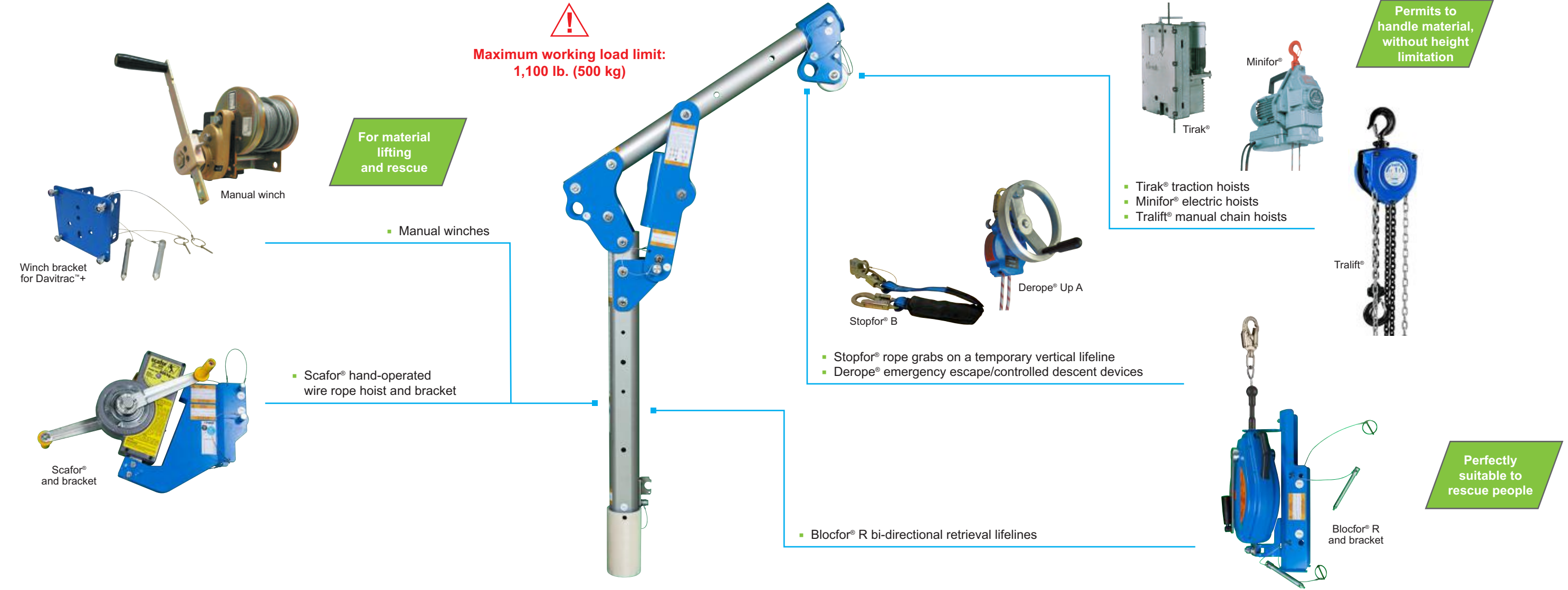
CODE	MODEL NAME
DTP2000	Davitrac™+ davit arm
Adapters	
T90DAVI-WMA	Wall mounted adapter
T90DAVI-CMA	Clearance mural adapter
T90DAVI-MFA	Mounted floor adapter
T90DAVI-FFA	Flush floor adapter
T90DAVI-CAP	Protective cap for flush floor adapter
T90DAVI-PHB	Portable H self-stabilizing adapter
Accessories	
DTTR1000	Davitrac™+ transport trolley
DTB1000	Davitrac™+ transport bag



solutions with Tractel® products



**Maximum working load limit:
1,100 lb. (500 kg)**



Range of adapter options offers complete versatility



Wall mounted adapter*

Wall mounted adapter fixed to concrete or steel vertical structures.



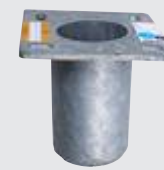
Clearance mural adapter*

Clearance mural adapter (with 11 1/8 in. [291 mm] offset) fixed to concrete or steel vertical structures.



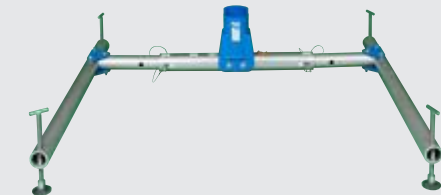
Mounted floor adapter*

Mounted floor adapter fixed to concrete or steel horizontal structure.



Flush floor adapter

Flush adapter moulded into the concrete. Ideal to have no obstacles on the ground surface to prevent falls. Delivered with a special protection stopper, to use when Davitrac™+ is not used/integrated on the adapter.



Portable H self-stabilizing adapter

Portable H self-stabilizing adapter to be used when a fixed adapter can't be installed definitely. Perfect transportable solution for fall protection as well as material lifting. Its adjustable adapter allows it to be used for any type of standard confined access.

*Adapter with anchoring points to secure up to two persons of 330 lb. (150 kg) each at the same time.

GLOBAL REACH



NORTH AMERICA

CANADA

Tractel Ltd.
11020 Mirabeau Street
Montreal, QC H1J 2S3, Canada
Phone: +1 800 561-3229
Fax: +1 514 493-3342
Email: tractel.canada@tractel.com

Tractel Swingstage

1615 Warden Avenue
Toronto, ON M1R 2T3, Canada
Phone: +1 800 561-3229
Fax: +1 416 298-0168
Email: marketing.swingstage@tractel.com

MÉXICO

Tractel México S.A. de C.V.
Galileo #20, Oficina 504.
Colonia Polanco
México, D.F. CP. 11560
Phone: +52 55 67218719
Fax: +52 55 67218718
Email: tractel.mexico@tractel.com

USA

Tractel Inc.
51 Morgan Drive
Norwood, MA 02062, USA
Phone: +1 800 421-0246
Fax: +1 781 826-3642
Email: tractel.usa-east@tractel.com
168 Mason Way,
Unit B2
City of Industry, CA 91746, USA
Phone: +1 800 675-6727
Fax: +1 626 937-6730
Email: tractel.usa-west@tractel.com

Safety Products Group

4064 Peavey Road
Chaska, MN 55318, USA
Phone: +1 866 933-2935
Email: info@safetypg.com

BlueWater L.L.C.

4064 Peavey Road
Chaska, MN 55318, USA
Phone: +1 866 579-3965
Email: info@bluewater-mfg.com

Fabenco, Inc.

2002 Karbach St.
Houston, Texas 77092, USA
Phone: +1 713 686-6620
Fax: +1 713 688-8031
Email: info@safetygate.com

EUROPE

GERMANY

Tractel Greifzug GmbH
Scheidtbachstrasse 19-21
51469 Bergisch Gladbach, Germany
Phone: +49 22 02 10 04-0
Fax: +49 22 02 10 04 70
Email: info.greifzug@tractel.com

LUXEMBOURG

Tractel Secalt S.A.
Rue de l'Industrie
B.P 1113 - 3895 Foetz, Luxembourg
Phone: +352 43 42 42-1
Fax: +352 43 42 42-200
Email: secalt@tractel.com

SPAIN

Tractel Ibérica S.A.
Carretera del Medio, 265
08907 L'Hospitalet del Llobregat
Barcelona, Spain
Phone: +34 93 335 11 00
Fax: +34 93 336 39 16
Email: infotib@tractel.com

FRANCE

Tractel S.A.S.
RD 619 Saint-Hilaire-sous-Romilly
BP 38 Romilly-sur-Seine
10102, France
Phone: +33 3 25 21 07 00
Fax: +33 3 25 21 07 11
Email: info.tsas@tractel.com

IFMS S.A.S.

32, rue du Bois Galon
94120 Fontenay-sous-Bois, France
Phone: +33 1 56 29 22 22
Email: ifms.tractel@tractel.com

Tractel Solutions S.A.S.

77-79, rue Jules Guesde
69230 Saint-Genis-Laval, France
Phone: +33 4 78 50 18 18
Fax: +33 4 72 66 25 41
Email: info.tractelsolutions@tractel.com

GREAT BRITAIN

Tractel UK Limited
Old Lane Halfway
Sheffield S20 3GA, United Kingdom
Phone: +44 114 248 22 66
Email: info@tractel.co.uk

ITALY

Tractel Italiana SpA
Viale Europa 50
Cologno Monzese (Milano) 20093, Italy
Phone: +39 02 254 47 86
Fax: +39 02 254 71 39
Email: infoit@tractel.com

NETHERLANDS

Tractel Benelux BV
Paardeweide 38
Breda 4824 EH, Netherlands
Phone: +31 76 54 35 135
Fax: +31 76 54 35 136
Email: sales.benelux@tractel.com

PORTUGAL

Lusotractel Lda
Bairro Alto Do Outeiro Armazém 1
Trajouce, 2785-653 S. Domingos
de Rana, Portugal
Phone: +351 214 459 800
Fax: +351 214 459 809
Email: comercial.lusotractel@tractel.com

POLAND

Tractel Polska Sp. Zo.o.
ul. Bysławska 82
Warszawa 04-993, Poland
Phone: +48 22 616 42 44
Fax: +48 22 616 42 47
Email: tractel.polska@tractel.com

NORDICS

Tractel Nordics (Scanclimber Oy)
Turkkirata 26
FI - 33960
Pirkkala, Finland
Phone: +358 10 680 7000
Fax: +358 10 680 7033
Email: tractel@scanclimber.com

RUSSIA

Tractel Russia O.O.O.
Olympiyskiy Prospect 38, Office 411
Mytishchi, Moscow Region
141006, Russia
Phone: +7 495 989 5135
Email: info.russia@tractel.com

ASIA

CHINA

Shanghai Tractel Mechanical Equip. Tech. Co. Ltd.
2nd floor, Block 1, 3500 Xiupu road,
Kangqiao, Pudong,
Shanghai, People's Republic of China
Phone: +86 21 6322 5570
Fax: +86 21 5353 0982

SINGAPORE

Tractel Singapore Pte Ltd.
50 Woodlands Industrial Park E7
Singapore 757824
Phone: +65 6757 3113
Fax: +65 6757 3003
Email: enquiry@tractelsingapore.com

INDIA

Secalt India Pvt Ltd.
412/A, 4th Floor, C-Wing,
Kailash Business Park, Veer Savarkar Road,
Parkside, Vikhroli West,
Mumbai 400079, India
Phone: +91 22 25175470/71/72
Email: info@secalt-india.com

TURKEY

Knot Yapı ve İş Güvenliği San. Tic. A.Ş.
Cevizli Mh. Tugay Yolu CD.
Nuvo Dragos Sitesi
A/120 Kat.11 Maltepe
34846 Istanbul, Turkey
Phone: +90 216 377 13 13
Fax: +90 216 377 54 44
Email: info@knot.com.tr

UAE

Tractel Secalt SA Dubai Branch
Office 1404, Prime Tower Business Bay
PB 25768 Dubai, United Arab Emirates
Phone: +971 4 343 0703
Email: tractel.me@tractel.com

ANY OTHER COUNTRIES

Tractel S.A.S.

RD 619 Saint-Hilaire-sous-Romilly
BP 38 Romilly-sur-Seine
10102 France
Phone: +33 3 25 21 07 00
Fax: +33 3 25 21 07 11
Email: info.tsas@tractel.com

